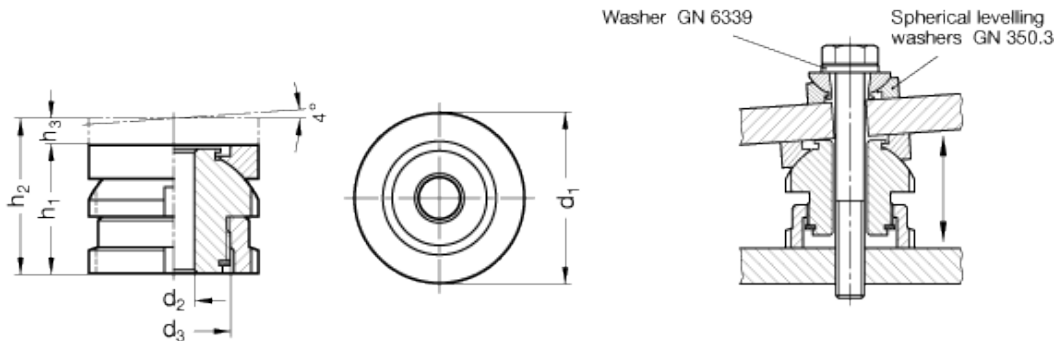


# GN 350.2-NI

Levelling sets



## technical informations

### Material

AISI 303 stainless steel NI.

$F_1$ : max. total load.

$F_2$ : max. load after deduction of the max. preload for screws 6.8,  $\mu = 0,14$ .

### Accessories on request

C-Spanner DIN 1810 (code no. see table).

### Features and applications

Levelling sets GN 350.2 are used for levelling, adjusting and linking operations. The spherical washer allows precise installation of two non parallel planes at a required gradient up to  $\approx 4^\circ$ .

They comprise a threaded upper sleeve and a female threaded lower sleeve. The fine thread allows a stepless and precise setting and locking using the C-Spanner DIN 1810. A locking ring serves as a height limiter for the max. height.

Standard Elements	Main dimensions						for thread	Static Load		C-Spanner	Weigh
	Description	d <sub>1</sub>	d <sub>2</sub>	h <sub>1</sub>	d <sub>3</sub>	h <sub>2</sub>		h <sub>3</sub>	Max. load $F_1$ in kN		
GN 350.2-25-5.5-22-NI	25	5.5	22	M15x1	26	4	M5	27.1	22.24	DIN 1810-A25-28	70
GN 350.2-25-5.5-35-NI	25	5.5	22	M15x1	26	4	M5	27.1	22.24	DIN 1810-A25-28	90

GN 350.2-25-6.6-22-NI	25	6.6	22	M15x1	26	4	M6	27.1	20.26	DIN 1810-A25-28	66
GN 350.2-25-6.6-35-NI	25	6.6	35	M15x1	50	15	M6	27.1	20.26	DIN 1810-A30-32	100
GN 350.2-32-6.6-26-NI	32	6.6	26	M20x1	31	5	M6	43.4	36.56	DIN 1810-A30-32	132
GN 350.2-32-6.6-43-NI	32	6.6	43	M20x1	63	20	M6	43.4	36.56	DIN 1810-A30-32	216
GN 350.2-32-9-26-NI	32	9	26	M20x1	31	5	M8	43.4	36.56	DIN 1810-A30-32	131
GN 350.2-32-9-43-NI	32	9	43	M20x1	63	20	M8	43.4	36.56	DIN 1810-A30-32	200
GN 350.2-32-11-26-NI	32	11	26	M20x1	31	5	M10	43.4	23.41	DIN 1810-A30-32	120
GN 350.2-32-11-43-NI	32	11	43	M20x1	63	20	M10	43.4	23.41	DIN 1810-A30-32	179
GN 350.2-45-11-34-NI	45	11	34	M30x1.5	41	7	M10	84	64.01	DIN 1810-A45-50	355
GN 350.2-45-11-54-NI	45	11	54	M30x1.5	79	25	M10	84	64.01	DIN 1810-A45-50	553
GN 350.2-45-13.5-34-NI	45	13.5	34	M30x1.5	41	7	M12	84	54.82	DIN 1810-A45-50	305
GN 350.2-45-13.5-54-NI	45	13.5	54	M30x1.5	79	25	M12	84	54.82	DIN 1810-A45-50	375
GN 350.2-45-17.5-34-NI	45	17.5	34	M30x1.5	41	7	M16	84	28.90	DIN 1810-A45-50	280
GN 350.2-45-17.5-54-NI	45	17.5	34	M30x1.5	79	7	M16	84	28.90	DIN 1810-A45-50	513
GN 350.2-58-17.5-44-NI	58	17.5	44	M40x1.5	53	9	M16	148	92.90	DIN 1810-A58-62	665
GN 350.2-58-17.5-70-NI	58	17.5	70	M40x1.5	102	32	M16	148	92.90	DIN 1810-A58-62	1104
GN 350.2-58-22-44-NI	58	22	44	M40x1.5	53	9	M20	148	59.08	DIN 1810-A58-62	610
GN 350.2-58-22-70-NI	58	22	70	M40x1.5	102	32	M20	148	59.08	DIN 1810-A58-62	1110
GN 350.2-58-26-44-NI	58	26	44	M40x1.5	102	9	M24	148	20.30	DIN 1810-A58-62	560
GN 350.2-58-26-70-NI	58	26	70	M40x1.5	102	32	M24	148	20.30	DIN 1810-A58-62	1060
GN 350.2-70-22-50-NI	70	22	50	M50x1.5	60	10	M20	225	136.08	DIN 1810-A68-75	1300
GN 350.2-70-22-83-NI	70	22	83	M50x1.5	123	40	M20	225	136.08	DIN 1810-A68-75	1910
GN 350.2-70-26-50-NI	70	26	50	M50x1.5	60	10	M24	225	97.30	DIN 1810-A68-75	940
GN 350.2-70-26-83-NI	70	26	83	M50x1.5	123	40	M24	225	97.30	DIN 1810-A68-75	1820
GN 350.2-70-33-50-NI	70	33	50	M50x1.5	60	10	M30	225	20.60	DIN 1810-A68-75	815
GN 350.2-70-33-83-NI	70	33	83	M50x1.5	123	40	M30	225	20.60	DIN 1810-A68-75	1610
GN 350.2-80-26-56-NI	80	26	56	M60x2	68	12	M24	323	195.30	DIN 1810-A80-90	1140
GN 350.2-80-26-94-NI	80	26	94	M60x2	144	50	M24	323	195.30	DIN 1810-A80-90	2880
GN 350.2-80-33-56-NI	80	33	56	M60x2	68	12	M30	323	118.60	DIN 1810-A80-90	1000
GN 350.2-80-33-94-NI	80	33	94	M60x2	144	50	M30	323	118.60	DIN 1810-A80-90	2700
GN 350.2-80-39-56-NI	80	39	56	M60x2	68	12	M36	323	38.20	DIN 1810-A80-90	860
GN 350.2-80-39-94-NI	80	39	94	M60x2	144	50	M36	323	38.20	DIN 1810-A80-90	2560



STANDARD MACHINE ELEMENTS WORLDWIDE